

# 30C25Z450T

**MOISTURE RESISTANT**

3" O.D. loudspeaker, 2.35 oz. magnet, 45Ω impedance, moisture resistant



## GENERAL DESCRIPTION

The **30C25Z450T** is a 3" square frame loudspeaker with a 2.35 oz. ceramic magnet, 45 Ohm nominal impedance and a moisture resistant cone.

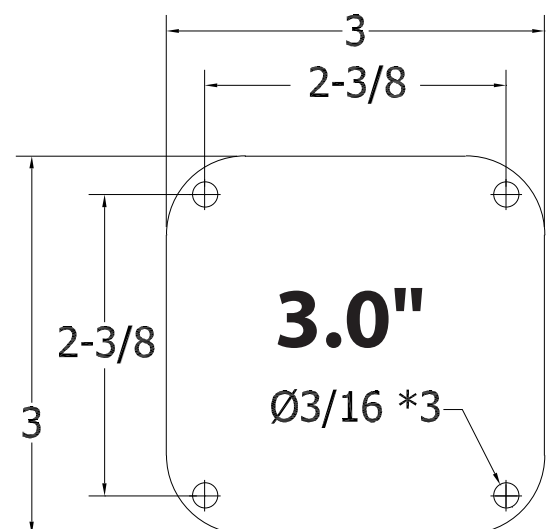
## INTENDED USE - Indoor and Outdoor Environment

<b>Program Material</b>	Signal tones, voice and music
<b>Installation</b>	Loudspeaker mount is a #8-32 tapped hole, center rear of device

## AUDIO SPECIFICATIONS

<b>Frequency Response</b>	300 Hz - 10kHz
<b>Power Handling<sup>1</sup></b>	4W
<b>Impedances Available</b>	45
<b>Cone Finish Options</b>	Weather-Resistant
<b>Magnet Material</b>	Ceramic
<b>Weight</b>	2.35 oz
<b>Depth</b>	1.190 in

<sup>1</sup>Loudspeaker Power Rating per EIA 426A



Recommended construction sequences, installation instructions, and A&E Specifications are available in various formats in the QUAM Architects' and Engineers' Resources section on the web at: [www.QuamSpeakers.com](http://www.QuamSpeakers.com)

© 2013 Quam-Nichols Company reserves the right to make changes and/or improvements to its products at any time and without notice.



QUAM-NICHOLS COMPANY, INC.  
234 East Marquette Rd.  
Chicago, IL. 60637  
Tel: 1-800-NEED-NOW (800-633-3669)  
Fax: 1-888-NEED-NOW (888-633-3669)  
e-mail: [NeedNow@QNC.com](mailto:NeedNow@QNC.com)  
[www.QuamSpeakers.com](http://www.QuamSpeakers.com)