

**LOUDSPEAKER ASSEMBLIES**

**C10X/BU/WS**

**CEILING MOUNTED**

**8" O.D. Loudspeaker with a 10 oz. Magnet, 5W-25/70V Transformer, Stud-Mount Baffle**



**GENERAL DESCRIPTION**

The C10X/BU/WS consists of an 8C10PAX - 8" O.D. dual cone loudspeaker with a 10 oz. magnet, TBLU - 5W-25/70V transformer, and a BR8WS - round, stud-mount baffle in a white powder coat finish.

**INTENDED USE - Indoor Environment**

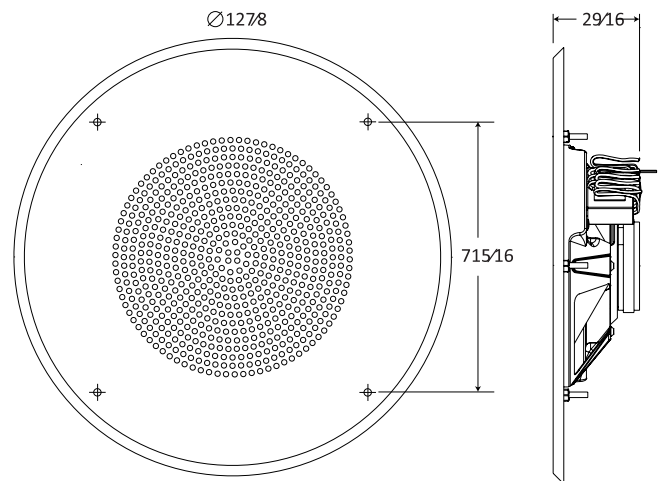
**Program Material** | Signal tones, voice, and music

**AUDIO SPECIFICATIONS**

<b>Average Sensitivity</b>	95 dB SPL, 1W/ 1M
<b>Loudspeaker Power Rating</b>	12W RMS, EIA 426A Standard
<b>Maximum Power Rating</b>	15W @ 8 Ohms
<b>Calculated Output</b>	102 dB SPL, 5W/ 1M
<b>Magnet Type &amp; Weight</b>	BeFe Ceramic, 5 oz. Nominal
<b>Frequency Response</b>	65 Hz - 17 kHz EIA 426A Standard
<b>Nominal Coverage Angle</b>	100° Included Angle, -6 dB / 2 kHz, Half space
<b>Audio Connection</b>	7" Color-Coded Leads
<b>Wattage Taps</b>	0.32W, 0.63W, 1.25W, 2.50W, 5W

**RECOMMENDED QUAM COMPONENTS**

<b>Enclosures</b>	ERD-8, ERD8U
<b>Mounting Device</b>	SSB-2, SSB-3, SSB-7



<p>Recommended construction sequences, installation instructions, and A&amp;E Specifications are available in various formats in the QUAM Architects' and Engineers' Resources section on the web at: <a href="http://www.QuamSpeakers.com">www.QuamSpeakers.com</a></p>				<p>QUAM-NICHOLS COMPANY, INC.                  234 East Marquette Rd.                  Chicago, IL. 60637                  Tel: 1-800-NEED-NOW (800-633-3669)                  Fax: 1-888-NEED-NOW (888-633-3669)                  e-mail: <a href="mailto:NeedNow@QNC.com">NeedNow@QNC.com</a>  <a href="http://www.QuamSpeakers.com">www.QuamSpeakers.com</a></p>
<p>© 2013 Quam-Nichols Company reserves the right to make changes and/or improvements to its products at any time and without notice.</p>				