

**LOUDSPEAKER ASSEMBLIES**



**Quam**

**C5/B70/W**

**CEILING MOUNTED**

**8" O.D. Loudspeaker with a 5 oz. magnet, 4W-70V Transformer, Screw-Mount Baffle**

**GENERAL DESCRIPTION**

The **C5/B70/W** consists of an 8C5PAX - 8" O.D. dual cone loudspeaker with a 5 oz. magnet, TBL70 - 4W-70V transformer, and a BR8W - round, screw-mount baffle in a white powder coat finish.

**INTENDED USE - Indoor Environment**

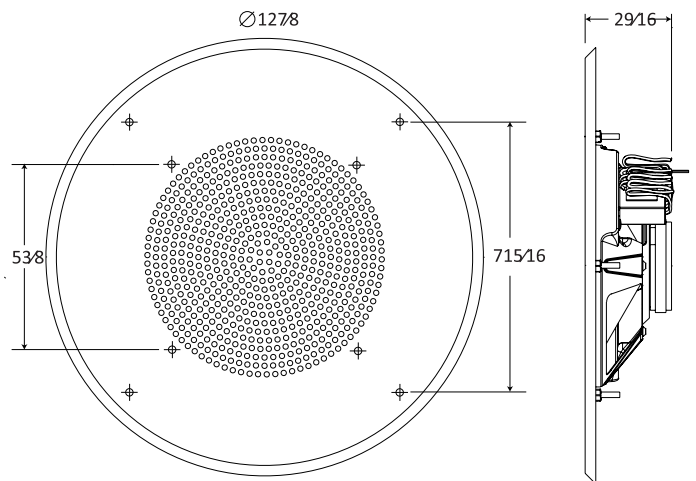
**Program Material** | Signal tones, voice, and music

**AUDIO SPECIFICATIONS**

<b>Average Sensitivity</b>	92 dB SPL, 1W/ 1M
<b>Loudspeaker Power Rating</b>	12W RMS, EIA 426A Standard
<b>Maximum Power Rating</b>	15W @ 8 Ohms
<b>Calculated Output</b>	98 dB SPL, 4W/ 1M
<b>Magnet Type &amp; Weight</b>	BeFe Ceramic, 5 oz. Nominal
<b>Frequency Response</b>	65 Hz - 17 kHz EIA 426A Standard
<b>Nominal Coverage Angle</b>	100° Included Angle, -6 dB / 2 kHz, Half space
<b>Audio Connection</b>	7" Color-Coded Leads
<b>Wattage Taps</b>	0.25W, 0.50W, 1W, 2W, 4W

**RECOMMENDED QUAM COMPONENTS**

<b>Enclosures</b>	ERD-8, ERD8U
<b>Mounting Device</b>	SSB-2, SSB-3, SSB-7



Recommended construction sequences, installation instructions, and A&E Specifications are available in various formats in the QUAM Architects' and Engineers' Resources section on the web at: [www.QuamSpeakers.com](http://www.QuamSpeakers.com)

© 2013 Quam-Nichols Company reserves the right to make changes and/or improvements to its products at any time and without notice.



QUAM-NICHOLS COMPANY, INC.  
 234 East Marquette Rd.  
 Chicago, IL. 60637  
 Tel: 1-800-NEED-NOW (800-633-3669)  
 Fax: 1-888-NEED-NOW (888-633-3669)  
 e-mail: [NeedNow@QNC.com](mailto:NeedNow@QNC.com)  
[www.QuamSpeakers.com](http://www.QuamSpeakers.com)