



Quam

ATTENUATORS

QC10K

SINGLE-GANG

20W, 10-Step, Printed Legend on White Powder Coat Finish Faceplate

GENERAL DESCRIPTION

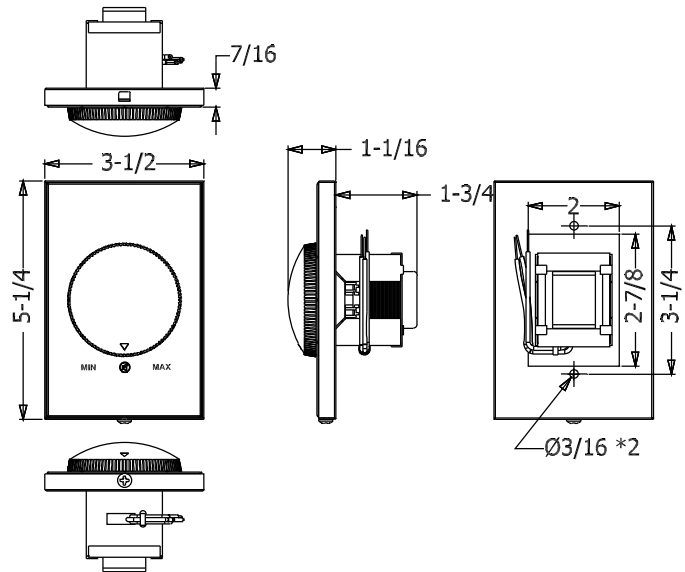
The QC10K is a single gang, 20W, ten-step, continuous rotary, audio level attenuator with an OFF position. White powder coat finish with an oversized, white knob, and printed MIN, MAX, and OFF positions. Faceplate frame is finished in a black powder coat.

INTENDED USE - Indoor Environment

Primary Use	Attenuates audio power to any number of loudspeakers, up to 20W load. For use with 25V or 70.7V distributed audio systems.
Installation	Single-gang electrical box, 2-1/8"D

AUDIO SPECIFICATIONS

Power Rating	20W Continuous
Attenuation (Ref: 25V, 70.7V line)	Position MAX : Full Signal Position 9-3 : -3 dB each Positions 2-MIN : -6 dB each Position OFF : No Signal
Insertion Loss	<0.5 dB
Audio Connection	10" long, pre-cut, color coded leads



<p>Recommended construction sequences, installation instructions, and A&E Specifications are available in various formats in the QUAM Architects' and Engineers' Resources section on the web at: www.QuamSpeakers.com</p>				<p>QUAM-NICHOLS COMPANY, INC. 234 East Marquette Rd. Chicago, IL. 60637 Tel: 1-800-NEED-NOW (800-633-3669) Fax: 1-888-NEED-NOW (888-633-3669) e-mail: NeedNow@QNC.com www.QuamSpeakers.com</p>
<p>© 2013 Quam-Nichols Company reserves the right to make changes and/or improvements to its products at any time and without notice.</p>				