



Quam

VANDAL RESISTANT

SE8GVP

ENCLOSURE

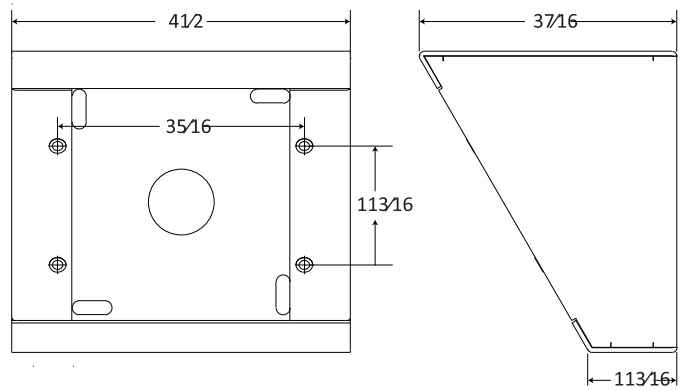
Surface Mount, Angled,
for CIS4 and CIS8 Assemblies (2-gang)

GENERAL DESCRIPTION

The **SE8GVP** is an angled, steel, vandal resistant, surface mount enclosure for 2-gang call-in or listen-only stations. There are four (4) 6-32 threaded inserts on standard 2-gang center and the conduit entrance is 1/2." Gray powder coat finish. For use in an indoor or outdoor environment.

RECOMMENDED QUAM COMPONENTS

Call-In Stations	CIS4 Series
Listen-Only Stations	CIS8 Series



Recommended construction sequences, installation instructions, and A&E Specifications are available in various formats in the QUAM Architects' and Engineers' Resources section on the web at: www.QuamSpeakers.com

© 2013 Quam-Nichols Company reserves the right to make changes and/or improvements to its products at any time and without notice.



QUAM-NICHOLS COMPANY, INC.
234 East Marquette Rd.
Chicago, IL. 60637
Tel: 1-800-NEED-NOW (800-633-3669)
Fax: 1-888-NEED-NOW (888-633-3669)
e-mail: NeedNow@QNC.com
www.QuamSpeakers.com